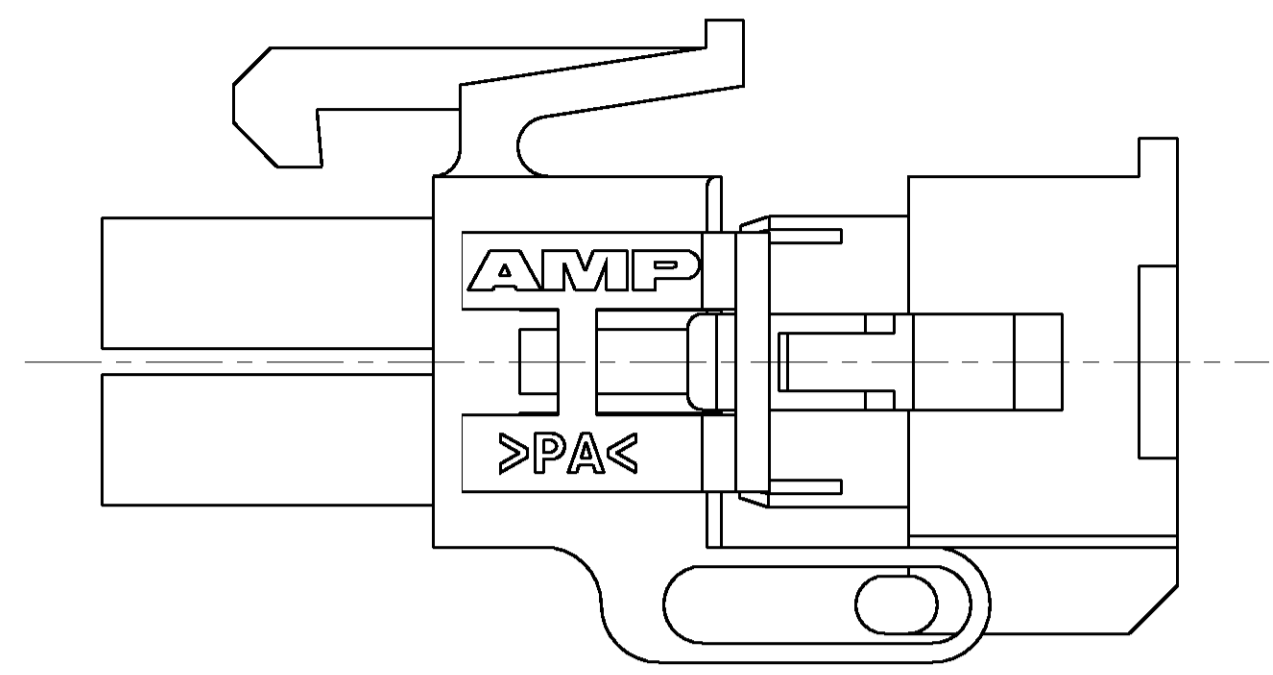
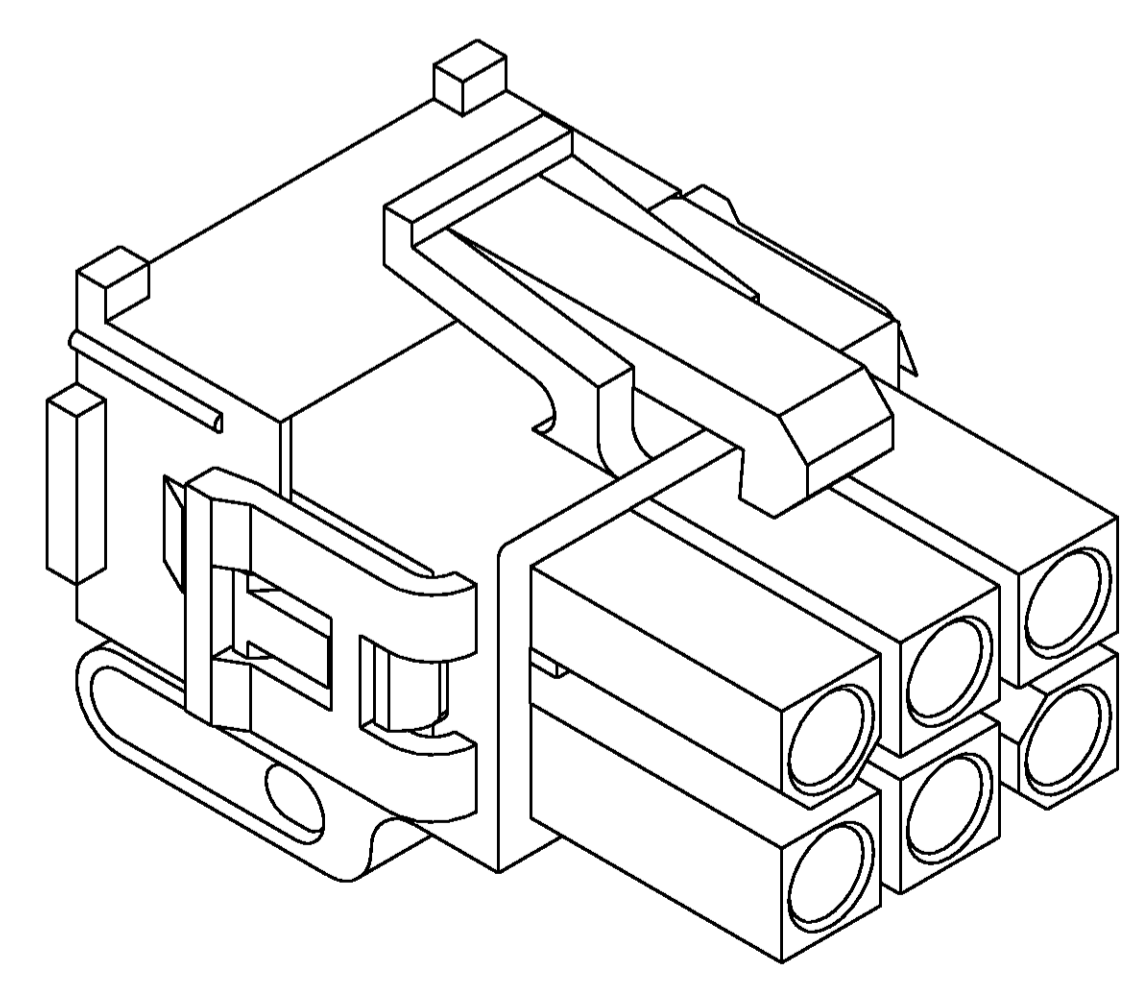
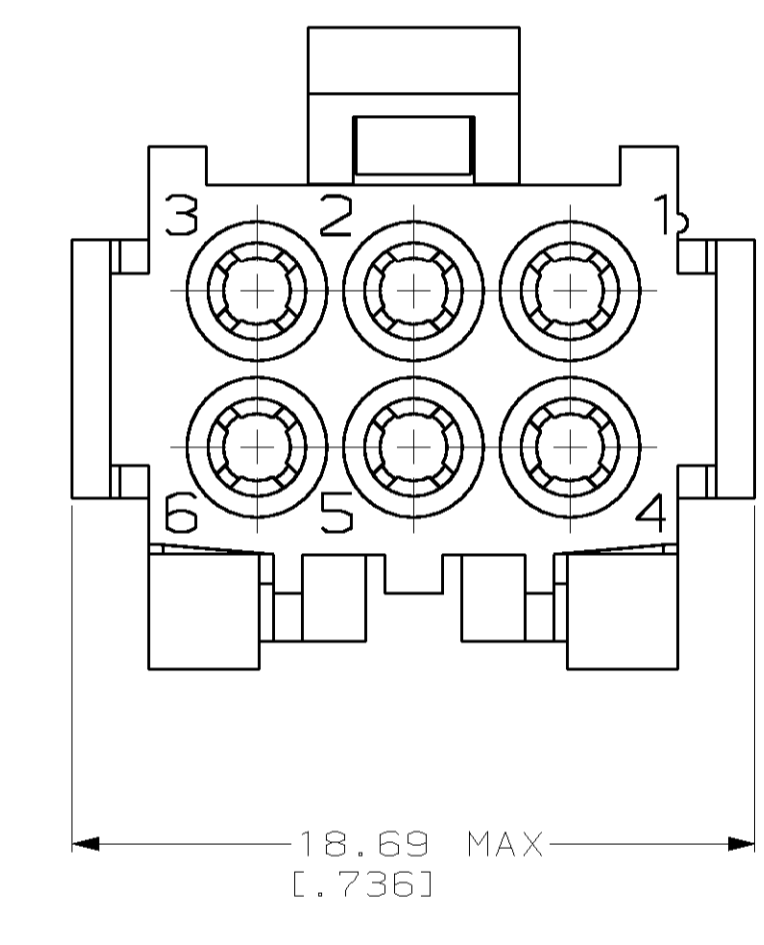
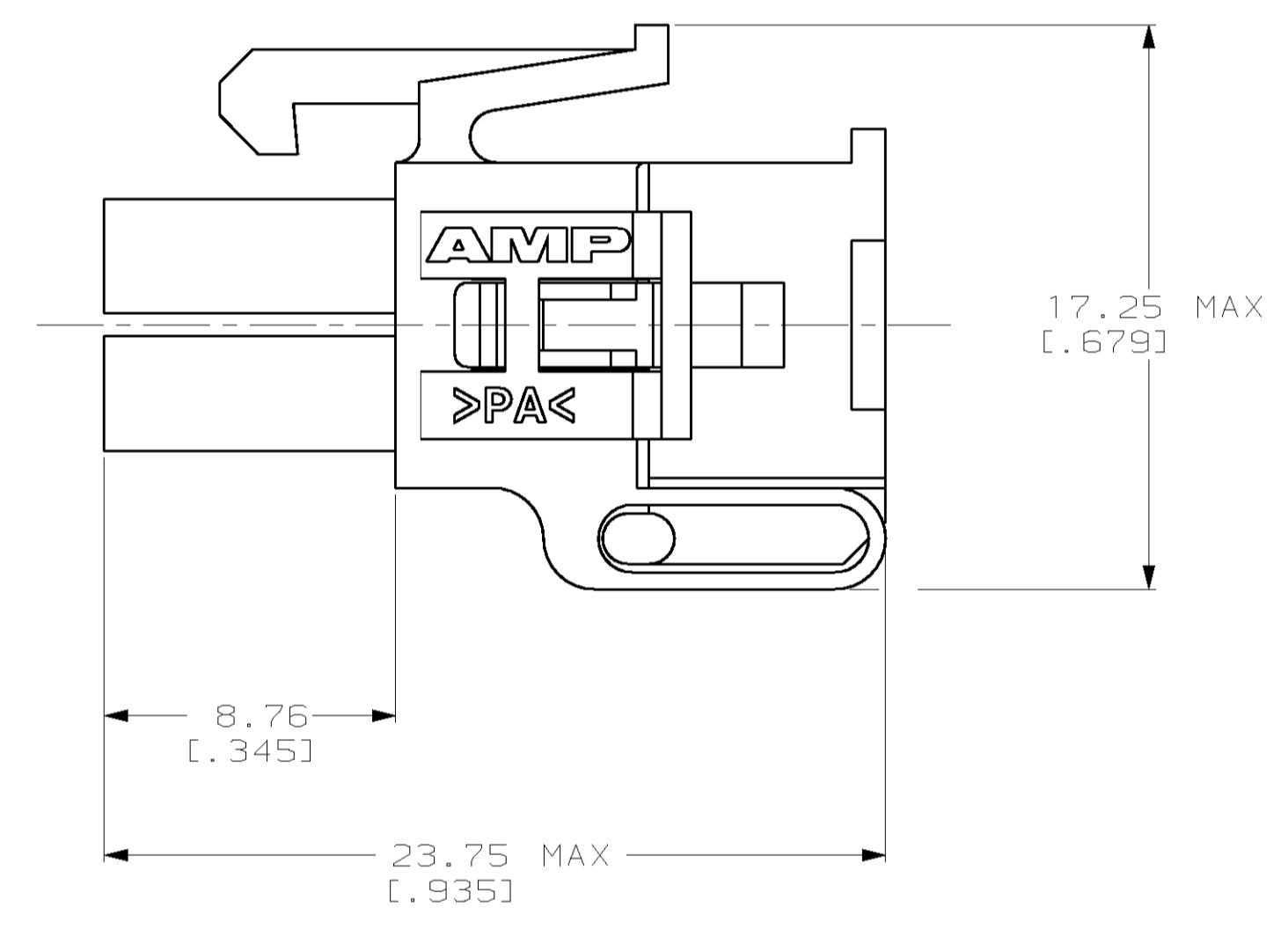
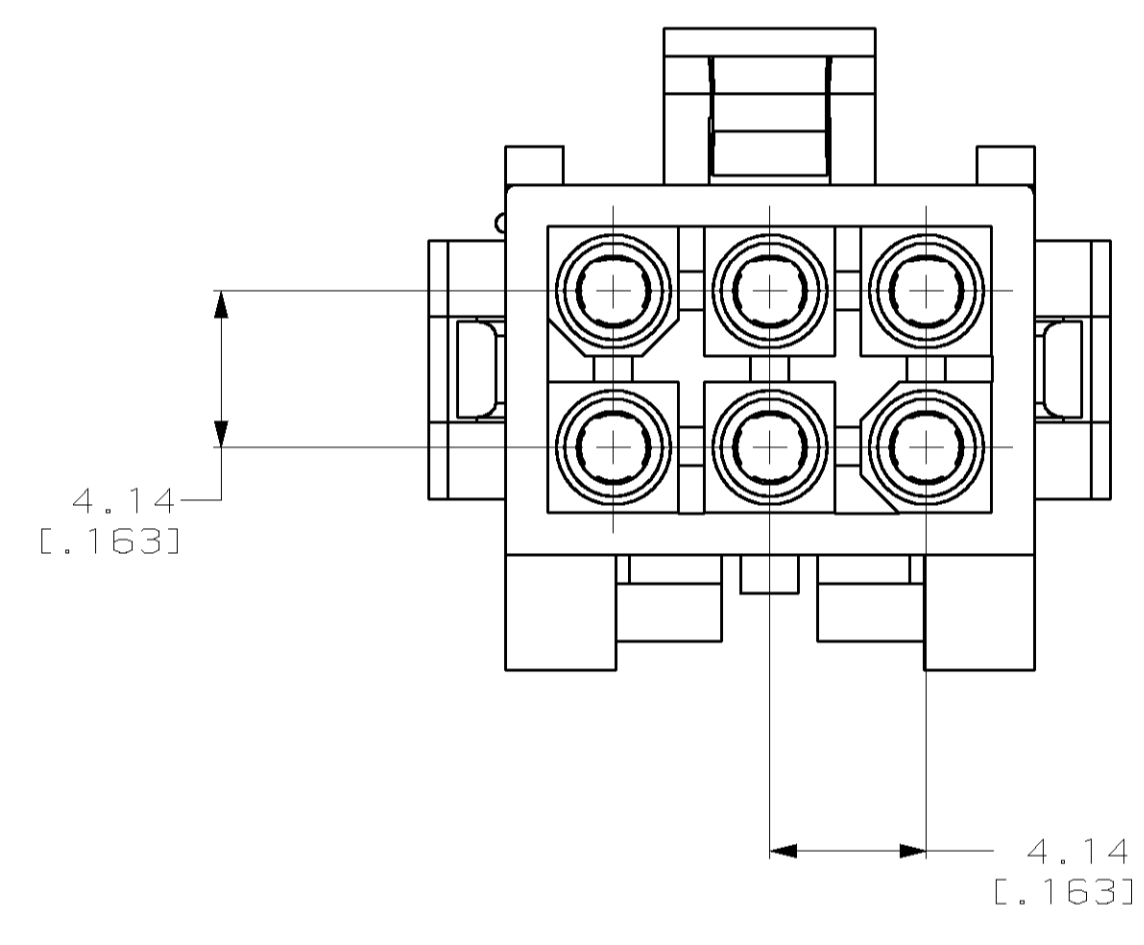


LOC	DIST	REVISIONS			
F	CHR	DESCRIPTION	DATE	OWN	APVD
B		REV PER EC 061B-0094-99	23-SEP-99	KW	KC



PRE-STAGED CONDITION

1. DIMENSIONS IN BRACKETS ARE IN INCHES.



3-DIMENSIONAL MODEL
NTS

794243-1
PART NUMBER

METRIC

THIS DRAWING IS A CONTROLLED DOCUMENT.		DWN K. WHITAKER 5-12-97	AMP AMP Incorporated Harrisburg, PA 17105-3608
DIMENSIONS:		CHK R. SWING 5-12-97	
mm	TOLERANCES UNLESS OTHERWISE SPECIFIED:	APVD R. ORSTAD 5-12-97	NAME PLUG, 6 CIRCUIT, MINI UNIVERSAL MATE-N-LOK™ 2
0 PLC	±	PRODUCT SPEC	SIZE A1
1 PLC	±	APPLICATION SPEC	CAGE CODE 00779
2 PLC	±	WEIGHT	DRAWING NO 794243
3 PLC	±0.13 (.005)	CUSTOMER DRAWING	RESTRICTED TO
4 PLC	±	SCALE 5:1	SHEET 1 OF 1
ANGLES	±	SCALE	REV B
MATERIAL NYLON, UL 94V-2, NATURAL	FINISH -		